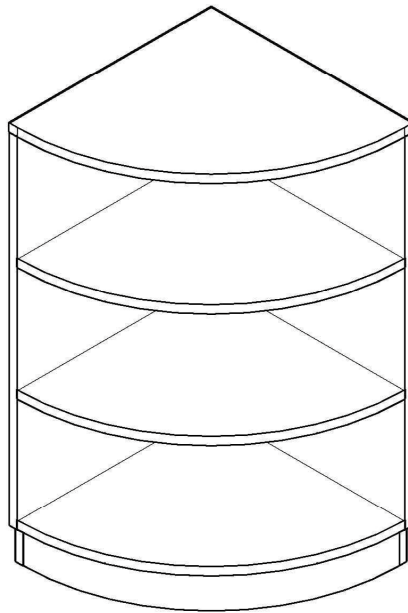


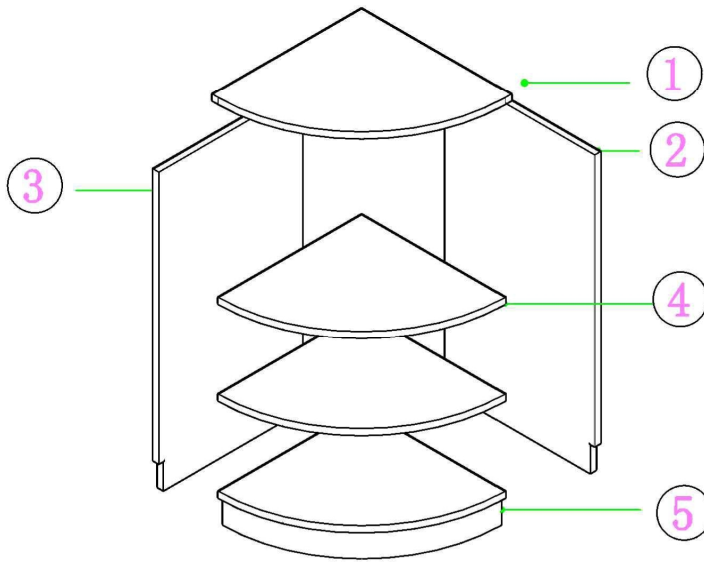
# ASSEMBLY INSTRUCTIONS MANUAL

## CORNER COUNTER

**SW713** 500mm (D) × 500mm (W) × 950mm (H)



### IDENTIFY PARTS:



Please check below measurement sizes to identify parts:

Item	Size	Qty
1	500*500*18	1
2	932*499*18	1
3	932*481*18	1
4	480*480*18	2
5	480*480*103	1

### HARDWARE CONTENTS:



STEP 1

